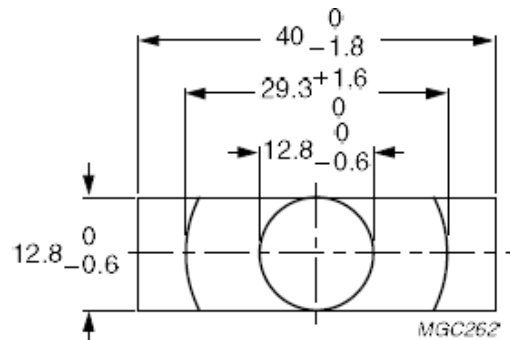
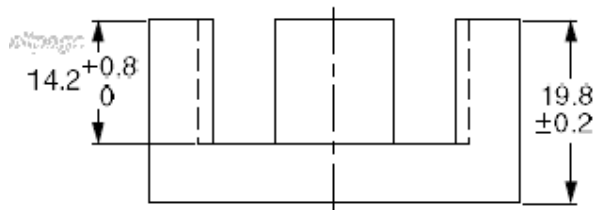


## Core ETD39/20/13

### Effective core parameters

$\Sigma I/A$	0,737	mm <sup>-1</sup>
$I_e$	92,2	mm
$A_e$	125	mm <sup>2</sup>
$A_{min}$	123	mm <sup>2</sup>
$V_e$	11500	mm <sup>3</sup>



**ETD cores** are particularly applicable in low power transformers, thanks to the untypical design - flattened center column, placed asymmetrically. Thanks to this we get compact construction and lowered transformer height in comparison to a similar power transformer on the EE core. Below are examples of core materials we use for the manufacture of our products. These cores are with different slots and AL values. The AL values in the table are given for cores without a slot. For our production we also use cores with different slots, ie with different constant AL, eg: 330, 200, as well as others made according to individual customer requirements.

### The examples of used materials

Material	AL [nH]
3C90	3000 ±25%
3C94	3000 ±25%
3C95	3650 ±25%
3F3	2800 ±25%
F-867	3100 ±25%
F-887	3000 ±25%
N27	2550 +30/-20%
N87	2700 +30/-20%
N97	2800 +30/-20%