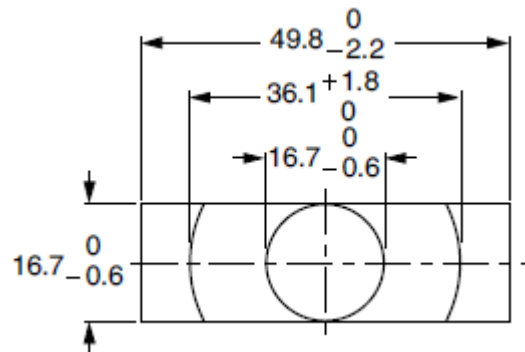
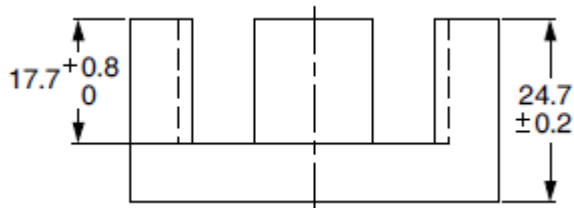


## Core ETD49/25/16

### Effective core parameters

$\Sigma l/A$	0,534	mm <sup>-1</sup>
$I_e$	114	mm
$A_e$	211	mm <sup>2</sup>
$A_{min}$	209	mm <sup>2</sup>
$V_e$	24000	mm <sup>3</sup>



**ETD cores** are particularly applicable in low power transformers, thanks to the untypical design - flattened center column, placed asymmetrically. Thanks to this we get compact construction and lowered transformer height in comparison to a similar power transformer on the EE core. Below are examples of core materials we use for the manufacture of our products. These cores are with different slots and AL values. The AL values in the table are given for cores without a slot. For our production we also use cores with different slots, ie with different constant AL, eg: 530, 310, 190 as well as others made according to individual customer requirements.

### The examples of used materials

Material	AL [nH]
3C90	4200 ±25%
3C94	4200 ±25%
3C95	5140 ±25%
3F3	3900 ±25%
N27	3700 +30/-20%
N87	3800 +30/-20%
N97	3900 +30/-20%
F-867	4100 ±25%
F-887	3950 ±25%